

Feature:

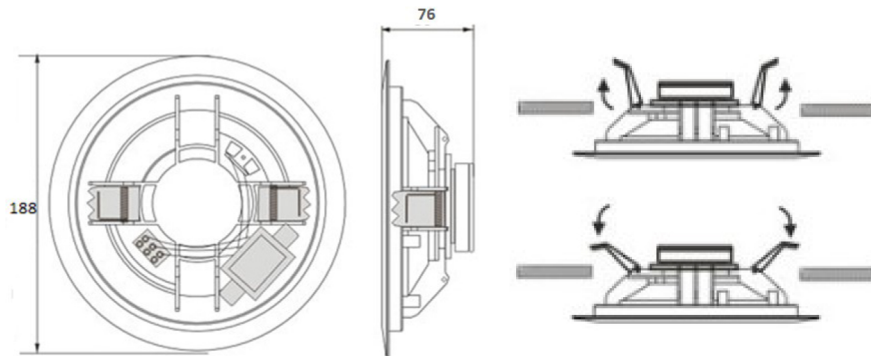
- ✓ Commercial ceiling speaker with 100V transformer
- ✓ Frameless fashion new design
- ✓ 100V power taps 6-3W
- ✓ 6.5" full range paper driver unit
- ✓ ABS enclosure and metal grille in white
- ✓ In-ceiling quick installation by spring clip



Specification:

Model	CSK-66H
Description	6.5" Ceiling Speaker
Power Taps	6-3W
Frequency Response	100-15KHz
SPL(@1W/m)	93 ± 3dB
Speaker Unit	6.5" full range paper cone
Cutout Size	Ø 165mm
Dimension	Ø 188×76mm
Material	ABS enclosure and metal grille in white
Weight	0.7kg

Dimension & Mounting:



Frequency Response & Impedance:

