

### Feature:

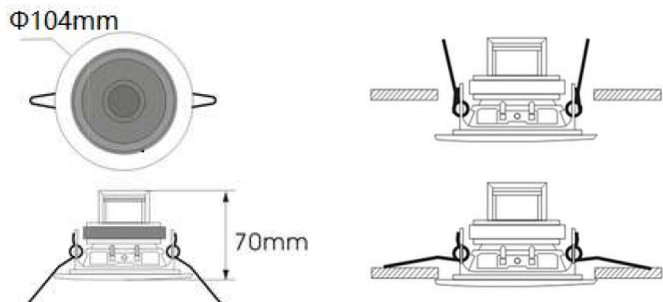
- Commercial waterproof ceiling speaker with 100V transformer
- Spot mini size ceiling speaker
- Compact size consistent with spot lighting and architectural design
- 100V power taps 6-3W
- 3" full range driver unit
- Stainless painted steel enclosure and steel grille in white
- In-ceiling quick installation by spring clip



### Specification:

Model	CSK-36E
Description	3" Ceiling Speaker
100V Power Taps	6-3 W
Frequency Response	90-15KHz
SPL(@1W/m)	87±3dB
Speaker Unit	3" full range driver unit
Cutout Size	Ø85mm
Dimension	Ø104×70mm
Material	Stainless painted steel enclosure and steel grille in white
Weight	0.4kg

### Dimension & Mounting:



### Frequency Response & Impedance:

