

AD-2104N

KEY FEATURES

- SUPPORT H.265/H.264 VIDEO FORMATS
- SUPPORT AUDIO OVER COAXIAL CABLE(ONLY FOR TVI CAMERAS)
- SUPPORT ANALOG CAMERA UPGRADE OVER COAXIAL CABLE
- SUPPORT TVI, AHD, CVI, CVBS, IP CAMERAS WITH ADAPTIVE ACCESS
- 4/8-CHANNEL BNC INPUT
- SUPPORT 1-CH HDMI OUTPUT, 1-CH VGA OUTPUT AT UP TO 1920*1080
- HDMI AND VGA SIMULTANEOUS OUTPUT
- LONG TRANSMISSION DISTANCE OVER COAXIAL CABLE
- SUPPORTS MAINSTREAM CAMERAS OF ONVIF AND RTSP PROTOCOLS

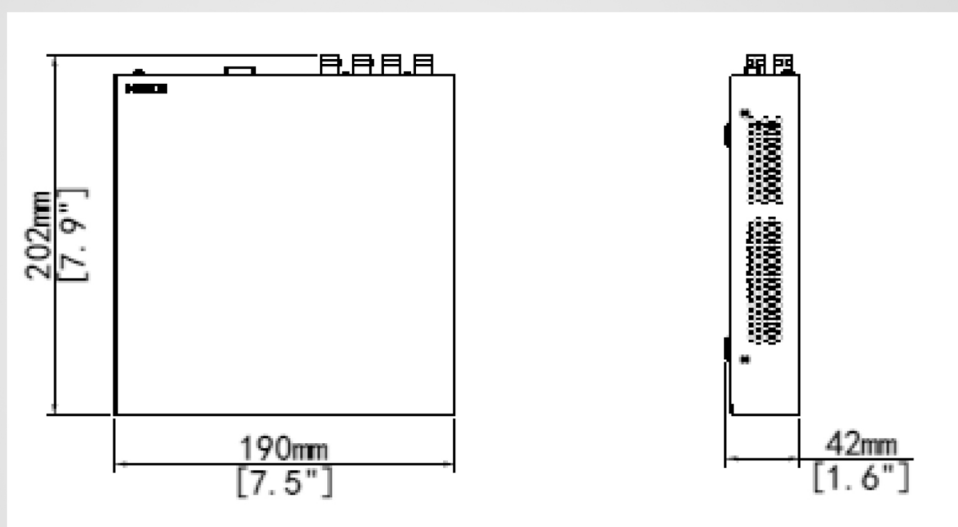
Specifications

Model	XVR5104E1
Video/Audio Input	
Analog Video Input	4-ch, BNC
IP Video Input	2-ch(only IP up to 6ch), each channel up to 6MP
Supported Analog Camera Types	Support AHD input: 1080P@30fps 720P@30fps Support TVI input: 1080P@30fps 720P@30fps Support CVI input: 1080P@30fps

	720P@30fps Support CVBS input	
Audio Compression	G.711U	
Network		
Incoming Bandwidth	24Mbps (Up to 32Mbps after all analog channel conversion)	
Outgoing Bandwidth	48Mbps	
Remote Users	128	
Protocols	TCP/IP, P2P, UPnP, NTP, DHCP, HTTP, HTTPS, DNS, DDNS, SMTP	
Browser	IE(IE10/11) for Windows Firefox (version 52.0 and above) for Windows Chrome(version 45 and above) for Windows Edge(version 79 and above) for Windows	
Video/Audio Output		
VGA Output	1920x1080/60Hz, 1920x1080/50Hz, 1600x1200/60Hz, 1280x1024/60Hz, 1280x720/60Hz, 1024x768/60Hz	
HDMI Output	1920x1080/60Hz, 1920x1080/50Hz, 1600x1200/60Hz, 1280x1024/60Hz, 1280x720/60Hz, 1024x768/60Hz	
Synchronous Playback	HD:4-ch SD:4-ch	
Live view display	HDMI/VGA: 1/4/6/8/9	
Encoding		
Recording Resolution	1080P Lite/720P/D1	
Recording Frame Rate	Main stream:	Sub stream:
	1080P Lite@25fps	D1@25fps
	720P@30fps	D1@30fps
Audio Sample Rate	8KHz,16 bit per channel	
Audio Bit Rate	64Kbps per channel	
Decoding		
Capability	Analog:4 x 1080P Lite@25, 4 x 720P@30 IP: 1 x 6MP@20, 2 x 1080P@30	
Hard Disk		
SATA	1 SATA interface	
Capacity	Up to 6TB for each HDD	
General Alarm		
General Alarm	By analog camera: Motion detection By IP Camera: Motion detection	
Alert Alarm	IP Conflict, Network Disconnected, Disk Offline, HDD is abnormal, Illegal Access, Running Out of Space, Space Used Up, Recording Abnormal	

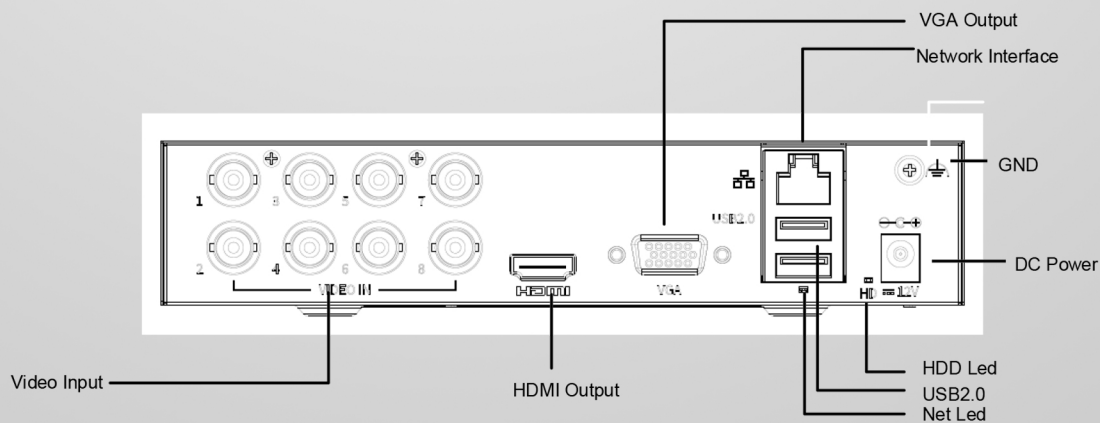
External Interface	
Network Interface	1RJ45 10M/100M self-adaptive Ethernet Interface
USB Interface	Rear panel:2 x USB2.0
General	
Power Supply	12V DC Power Consumption: ≤ 10 W(without HDD)
Working Environment	-10°C ~ + 55°C (+14°F ~ +131°F), Humidity ≤ 90% RH(non-condensing)
Dimensions(W×D×H)	190mm × 202mm × 42mm (7.5" × 7.9" × 1.6")
Weight (without HDD)	≤0.6 Kg (1.32lb)
Certification	
Certification	CE/FCC/WEEE

Dimensions



Rear Panel

- Take XVR5108E1 for example



- Product specifications and availability are subject to change without notice.