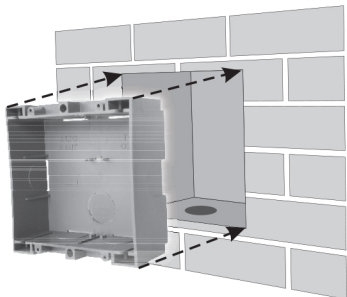
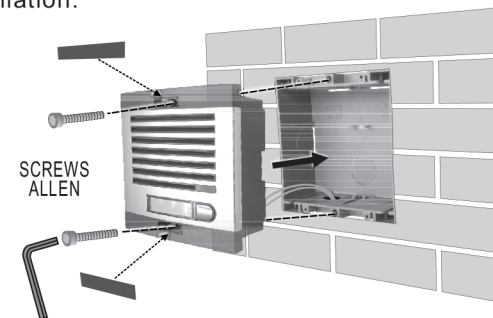


INSTALLATION

4. Insert the embedding box into the cavity and fix it, then perform the wires connection and test the system working, after that attach back the front panel onto the embedding box, fix the front panel by the two allen-screws, finally place the two screw hole covers to finish the installation.

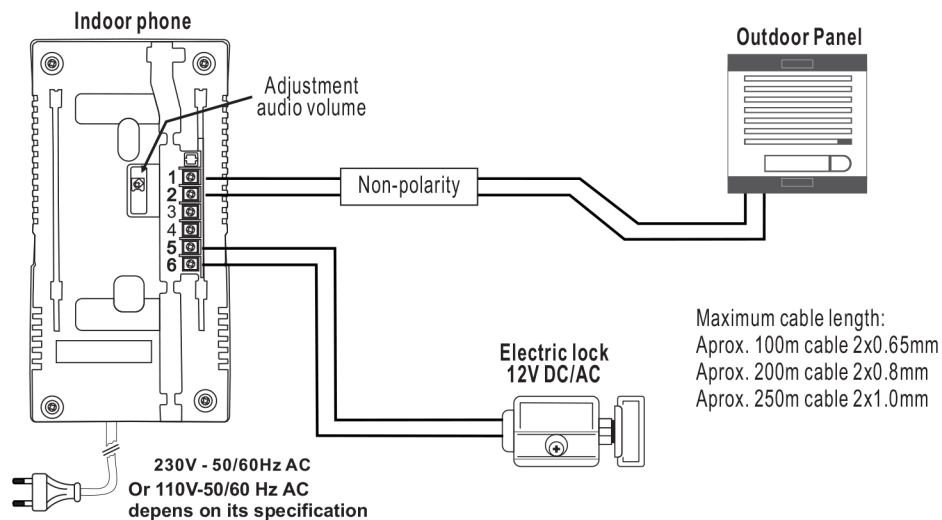


INSERT THE BOX INTO THE WALL CAVITY AND FIX IT

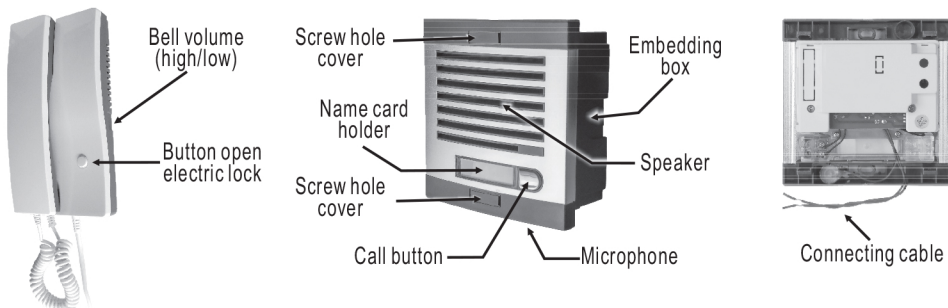


CONNECT THE CABLE AND INSTALL THE PANEL ONTO THE EMBEDDING BOX, FIX THE PANEL BY THE TWO ALLEN-SCREWS FINALLY PLACE THE SCREW COVERS

WIRING DIAGRAM



INTERFACE INTRODUCTION



ADVISION

AD-K101 USER'S MANUAL



Thank You For Choosing Our Products
Date of Purchasing: _____