

AD- XVR5104N

Key Features

- Support H.265/H.264 video formats
- Support audio over coaxial cable(only for TVI cameras)
- Support TVI, AHD, CVI, CVBS, IP cameras with adaptive access
- 4/8-channel BNC input
- Support 1-ch CVBS output, 1-ch VGA output, 1-ch HDMI output at up to 4K(3840 x 2160)
- HDMI and VGA simultaneous output
- Long transmission distance over coaxial cable
- Support mainstream cameras of ONVIF and RTSP protocols

Model	AD- XVR5104N
Video/Audio Input	
Analog Video Input	4-ch, BNC
IP Video Input	2-ch(only IP up to 6ch), each channel up to 4MP
Supported Analog Camera Types	Support AHD input: 8MP@15fps 5MP@20fps 4MP@30fps 1080P@30fps 720P@30fps Support TVI input: 8MP@15fps

Recording Resolution	8MP Lite/5MP Lite/4MP Lite/1080P/720P/CIF	
Recording Frame Rate	Main stream	Sub stream
	8MP Lite@8fps	D1@8fps
	5MP Lite @12fps	D1@12fps
	4MP Lite@15fps	D1@15fps
	1080P@15fps	D1@15fps
	720p@30fps	D1@30fps
Audio Sample Rate	8KHz,16 bit per channel	
Audio Bit Rate	64Kbps per channel	
Decoding		
Capability	Analog: 4 x 8MP Lite@8, 4x 5MP Lite@12, 4x 4MP Lite@15, 4 x 1080P@15 IP: 1 x 4MP@30, 2 x 1080P@30	
Hard Disk		
SATA	1 SATA interface	
Capacity	Up to 8TB for each HDD (The maximum HDD capacity varies with environment temperature)	
General Alarm		
General Alarm	Motion detection	
Alert Alarm	IP Conflict, Network Disconnected, Disk offline, Disk Abnormal, Illegal Access, Hard Disk Space Low, Hard Disk Full, Recording/Snapshot Abnormal	
External Interface		
Network Interface	1 RJ45 10M/100M self-adaptive Ethernet Interface	
USB Interface	Rear panel: 2 x USB2.0	
RS485	1	
Alarm In	4-ch	
Alarm Out	1-ch	
General		
Power Supply	12V DC Power Consumption: ≤ 10 W(without HDD)	
Working Environment	-10°C ~ + 55°C (+14°F ~ +131°F), Humidity ≤ 90% RH(non-condensing)	
Dimensions(W×D×H)	260mm ×226mm× 47mm (10.2" × 8.9"×1.8")	
Weight (without HDD)	≤1.1 Kg (2.42lb)	

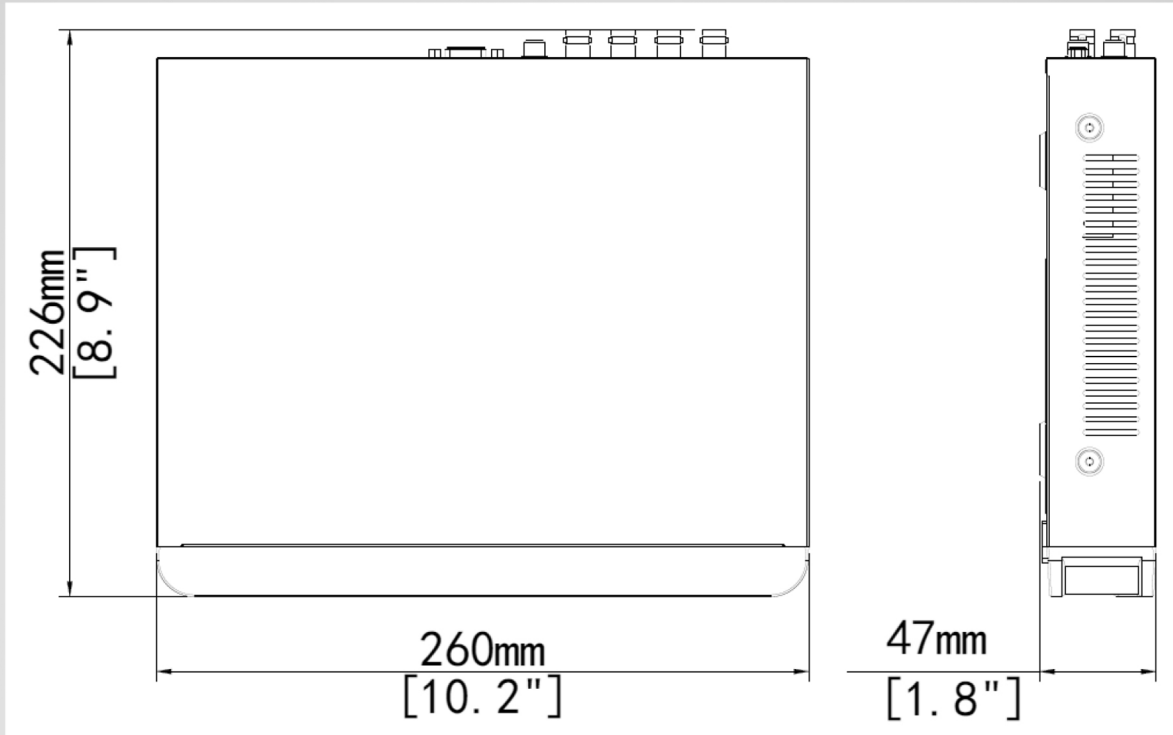
	5MP@20fps 4MP@30fps 1080P@30fps 720P@30fps Support CVI input: 8MP@15fps 5MP@25fps 4MP@30fps 1080P@30fps 720P@30fps Support CVBS input	
Audio Input	1-ch, RCA	
Audio Compression	G.711U	
Video/Audio Output		
CVBS Output	1-ch, BNC	
VGA Output	1920x1080p/60Hz, 1920x1080p/50Hz, 1600x1200/60Hz, 1280x1024/60Hz, 1280x720/60Hz, 1024x768/60Hz	
HDMI Output	3840 x 2160/30Hz, 1920x1080p/60Hz, 1920x1080p/50Hz, 1600x1200/60Hz, 1280x1024/60Hz, 1280x720/60Hz, 1024x768/60Hz	
Audio Output	1-ch, RCA	
Synchronous Playback	4	
Live view display	HDMI/VGA: 1/4/6/8/9	
Two-way Audio	1-ch, RCA	
Network		
Incoming Bandwidth	40Mbps (Up to 48Mbps after all analog channel conversion)	
Outgoing Bandwidth	48Mbps	
Remote Users	128	
Protocols	TCP/IP, P2P, UPnP, DHCP, HTTP, HTTPS, DNS, DDNS, SMTP	
Browser	IE(IE10/11) for Windows Firefox (version 52.0 and above) for Windows Chrome(version 45 and above) for Windows Edge(version 79 and above) for Windows	
Encoding		

Certification

Certification

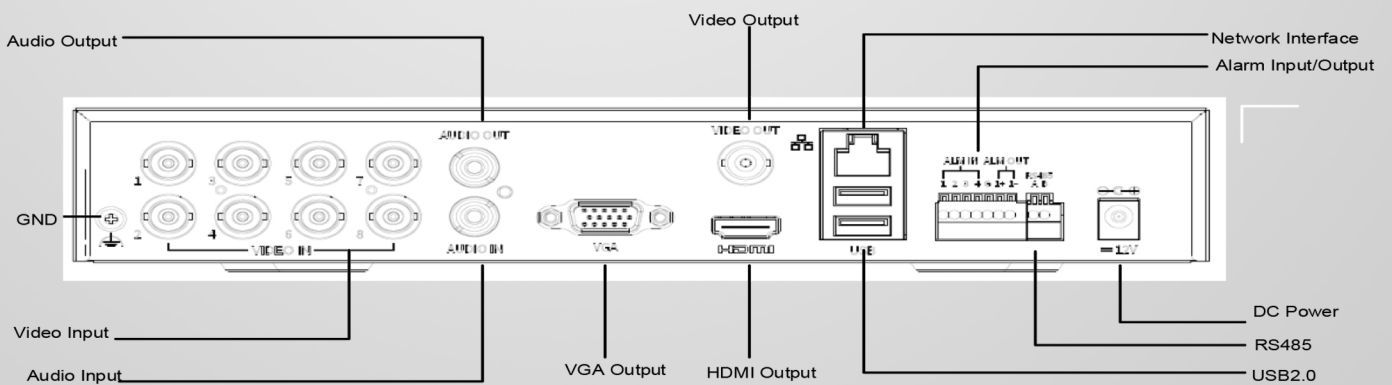
UL /CE /FCC /RoHS /WEEE

Dimensions



Rear Panel

- Take XVR7108E1-3 for example



- Product specifications and availability are subject to change without notice.